

414UHE CASCADE II



Half-Stall, Wash-Down, Vitreous China Urinal

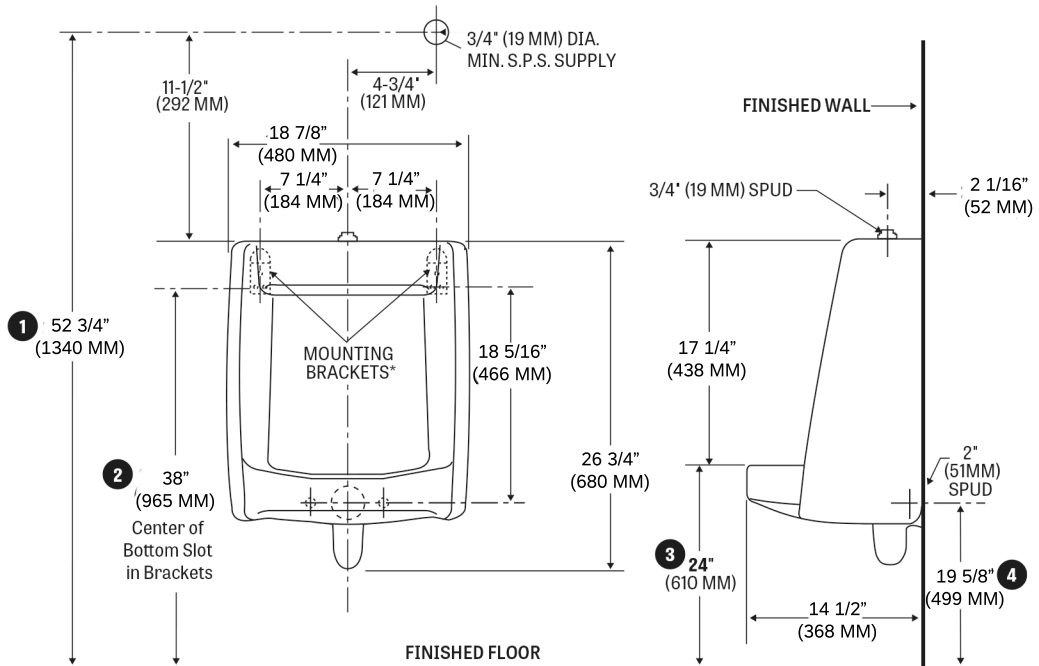
SPECIFICATIONS

MODEL #	DESCRIPTION	CODES/STANDARDS
414UHE	Half-stall, wash-down urinal	

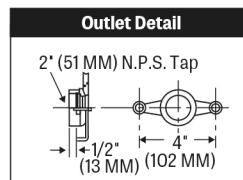
MATERIAL	Vitreous China
WATER USAGE	0.125, 0.5 or 1.0 gpf
INLET	3/4"
OUTLET	2"

ROUGH-IN	Wall-mount
SHIPPING WEIGHT	Model 414 UHE - 58.6 lbs. (26.6kg)
WARRANTY	Vitreous China - Limited Lifetime

TECHNICAL INFORMATION



*Mounting brackets measure 2-7/8" (73MM) in length.



NOTE on Outlet Connection:
2" female threads protrude 1/2" past the urinal.

For ADA Installation, adjust the numbered dimensions as follows:

1	44" (1118 MM)
2	28 5/8" (727 MM)
3	15 1/4" (387 MM)
4	10 9/16" (268 MM)

Note: These dimensions are nominal, subject to change without notice and may not reflect industry-standard production variances for vitreous china. **Please use the numbered critical dimensions noted on the diagram for purposes of rough-in.**

Fixture performance and specifications meet or exceed ASME A112.19.2/CSA B45.1 standards, and other state and local codes.